

Please go to www.quoizel.com for product cleaning tips. Go to the **Care + Maintenance** selection.

Tools Required: Flathead screwdriver, Phillips screwdriver, pliers, wire cutters, wire strippers, electrical tape, safety glasses, marking pen, 1/16" drill bit, center punch, hammer, drill and wrench.

Light Source: (2) B10 Candelabra Base Bulbs 60W Maximum, Candelabra Base T8 Vintage Bulbs are recommended, bulbs not included.

Estimated Assembly Time: 30-45 minutes

Preparation: Identify and inspect all parts before beginning installation. Check package content list and diagrams below to ensure all parts are present. If any parts are missing or damaged, do not attempt to assemble, install, or operate the fixture. Contact your original place of purchase.

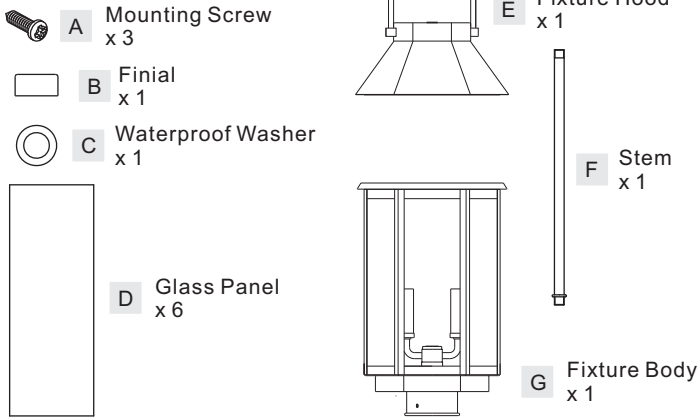
⚠ Warnings and Cautions

Turn off electricity at circuit breaker or main fuse box before installation. Consult a licensed electrician if in doubt.

These instructions are provided for your safety. It is very important you read them completely before installing the fixture. We strongly recommend that a licensed, professional electrician perform the installation.

Disconnect fixture from power source before replacing bulbs. Make sure bulbs are given sufficient time to cool before removal.

Package Contents



STEP 2 - Install Stem, Bulbs and Fixture Hood

- A. Thread the beaded end of the Stem (F) onto the junction box in the bottom center of the cage and hand tighten until snug.
- B. Insert bulbs onto sockets and screw snugly into place.
- C. Place the Fixture Hood (E) onto the top edge of the Fixture Body (G). Locate the Waterproof Washer (C) onto the Stem (F) and thread the Finial (B) onto the Stem (F) to secure the Fixture Hood (E). Hand tighten until snug.

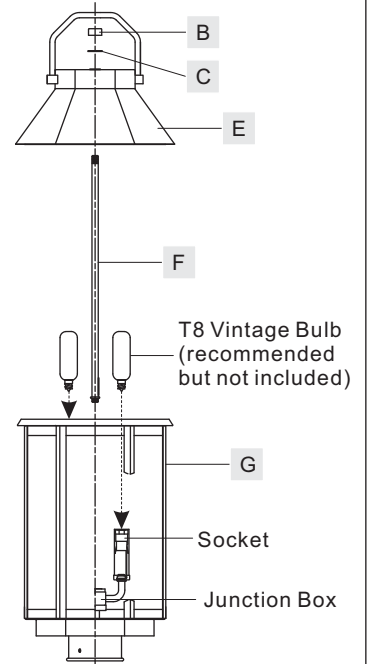


Figure 2

STEP 1 - Install Glass Panels

- A. Insert the bottom edge of the Glass Panel (D) into the slot in the Fixture Body (G) and fold tabs in the top edge of the Fixture Body (G) onto the top edge of the Glass Panel (D) to secure the Glass Panel (D).

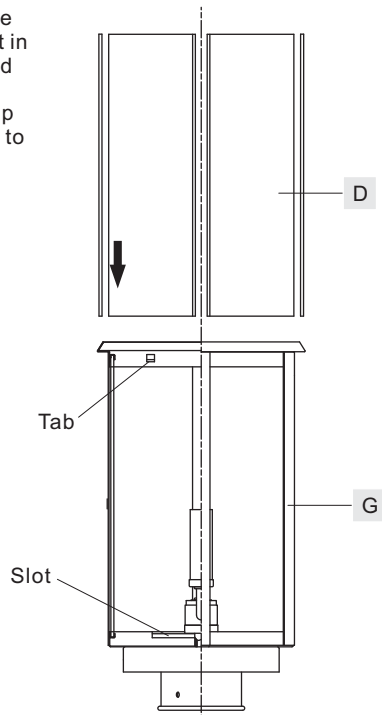


Figure 1

STEP 3 - Mark the Location for the 3 Mounting Holes

- A. Place the light fixture onto the post and mark the location of the 3 mounting holes on the fixture fitter onto the post with the marking pen.

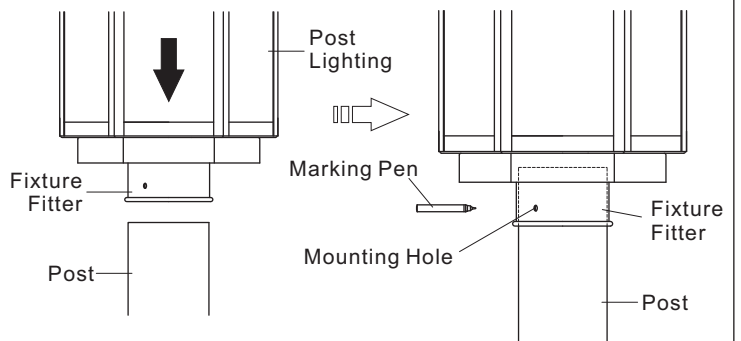
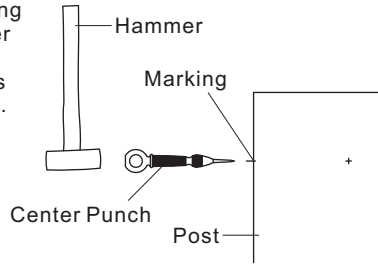


Figure 3

STEP 4 - Marking the Center of Each Mounting Hole

Figure 4

A. Remove the light fixture. Using the center punch and hammer marking the center of each mounting hole location that is marked with the marking pen.



STEP 5 - Drill Holes

A. Using the 1/16" bit and drill, drill a pilot hole completely through the post at each (3) locations marked in step 4 above.

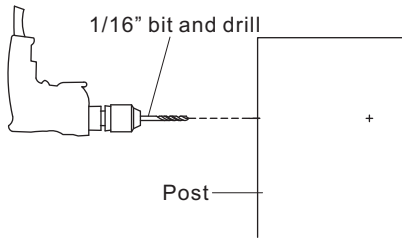


Figure 5

STEP 6 - Wire Connections

A. Use standard wire connectors (not included) to make all wire connections. Twist connectors until wires are tightly joined together. Wrap each connection with approved electrical tape and carefully stuff all the connected wires into the Outlet Box.

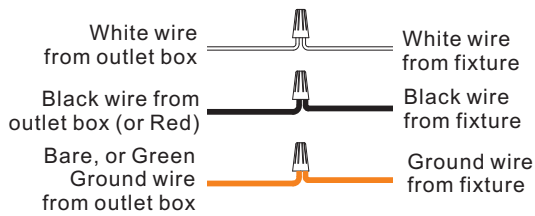


Figure 6

STEP 7 - Attach the fixture to the Post Mount

A. Place the fixture on the post lining up the mounting holes on the fixture fitter with the holes on the post. Use the Mounting Screws (A) to attach the fixture to the post.

Your fixture is now assembled and ready to use. Enjoy!

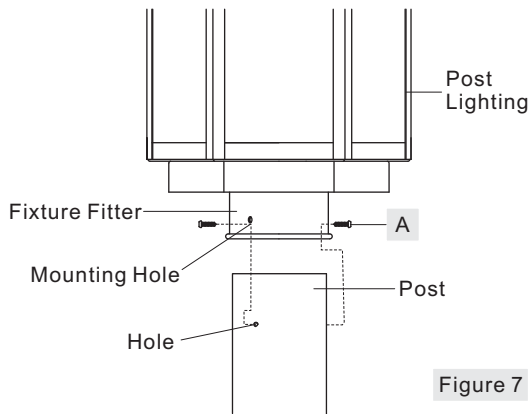
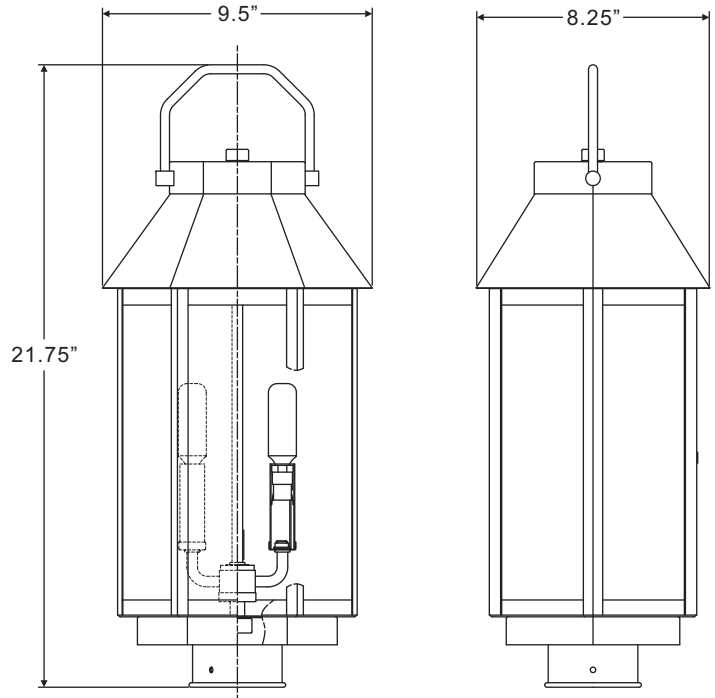


Figure 7

CPB9009SPB

FINISH: SPECKLED BLACK



NOTE: ALL DIMENSIONS ARE ROUNDED UP TO THE NEAREST 1/4"