

Please go to www.quezel.com for product cleaning tips. Go to the **Care + Maintenance** selection.

Tools Required: Flathead screwdriver, Phillips screwdriver, pliers, wire cutters, wire strippers, electrical tape, safety glasses.

Light Source: (1) A19 Medium Base Bulb 100W Maximum, Medium Base Vintage Bulb is recommended, bulb not included.

Estimated Assembly Time: 20-30 minutes

Preparation: Identify and inspect all parts before beginning installation. Check package content list and diagrams below to ensure all parts are present. If any parts are missing or damaged, do not attempt to assemble, install, or operate the fixture. Missing Parts? Contact your original place of purchase.

Fixture can only be mounted in the direction indicated on page 2.

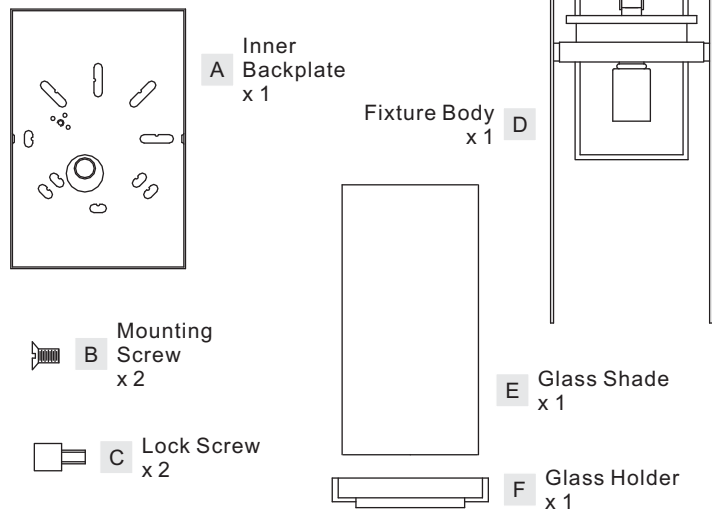
⚠ Warnings and Cautions

Turn off electricity at circuit breaker or main fuse box before installation. Consult a licensed electrician if in doubt.

These instructions are provided for your safety. It is very important you read them completely before installing the fixture. We strongly recommend that a licensed, professional electrician perform the installation.

Disconnect fixture from power source before replacing bulbs. Make sure bulbs are given sufficient time to cool before removal.

Package Contents



STEP 2 – Installing the Inner Backplate

A. Pass the supply wires with ground wire through the Inner Backplate (A). Attach the Inner Backplate (A) to the Outlet Box and make sure mounting holes on the side. Secure the Inner Backplate (A) with Outlet Box Screws (not included). Tighten until snug.

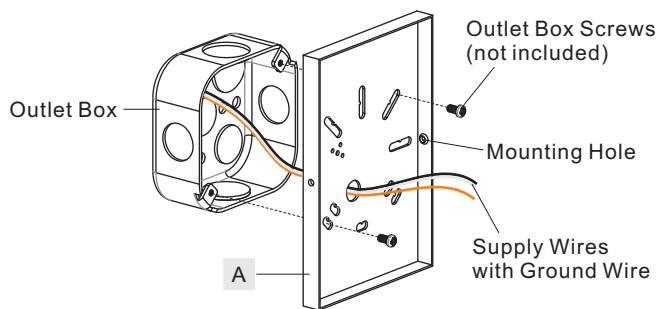


Figure 2

STEP 1 – Install Glass Shade and Glass Holder

A. Place the Glass Shade (E) onto the Glass Holder (F). Lift the Glass Holder (F) with the Glass Shade (E) upward, attach the top edge of the Glass Shade (E) to the fixture hood, and align mounting holes on the side of the Glass Holder (F) to holes on side arms. Secure them together by threading Lock Screws (C) into mounting holes on the Glass Holder (F). Hand tighten until snug.

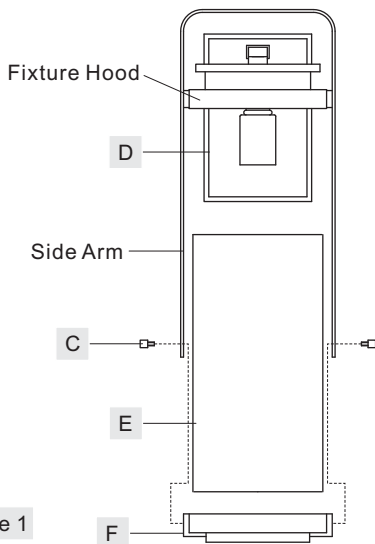


Figure 1

STEP 3 - Wire Connections

A. Wrap bare or green ground wire around green ground screw on the crossbar, no less than 2 inches from the end of the wire. Tighten the green ground screw.
 B. Use standard wire connectors (not included) to make all wire connections. Twist connectors until wires are tightly joined together. Wrap each connection with approved electrical tape and carefully stuff all the connected wires into the Outlet Box.

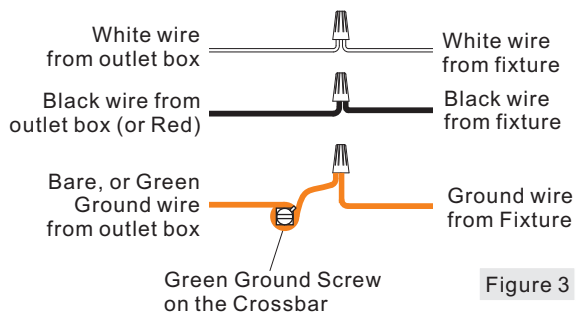


Figure 3

STEP 4 – Install the Fixture Body

A. Position the backplate and Fixture Body (D) onto the Inner Backplate (A) and align holes on the backplate to mounting holes on the side of the Inner Backplate (A). Secure the Fixture Body (D) with Mounting Screws (B) and hand tighten until snug with screwdrivers.

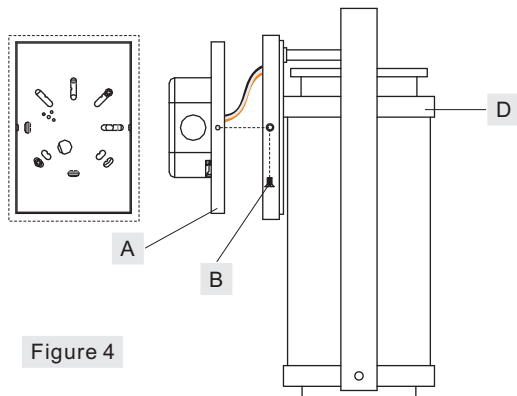
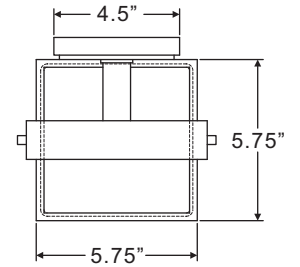
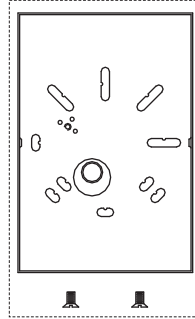


Figure 4

EXH8407EK

FINISH: EARTH BLACK



STEP 5 – Install the Bulb and Apply Silicone Sealer

A. Install the bulb onto the socket and screw snugly into place.
 B. Make sure the exterior wall surface and fixture backplate are free of dirt before applying caulk. Using exterior grade caulk, caulk over top of backplate and down both sides. Do not caulk the bottom of the fixture backplate to ensure proper moisture drainage.

Your fixture is now assembled and ready to use. Enjoy!

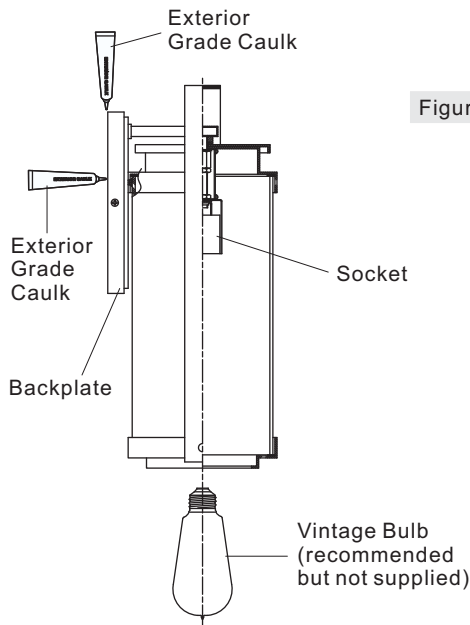
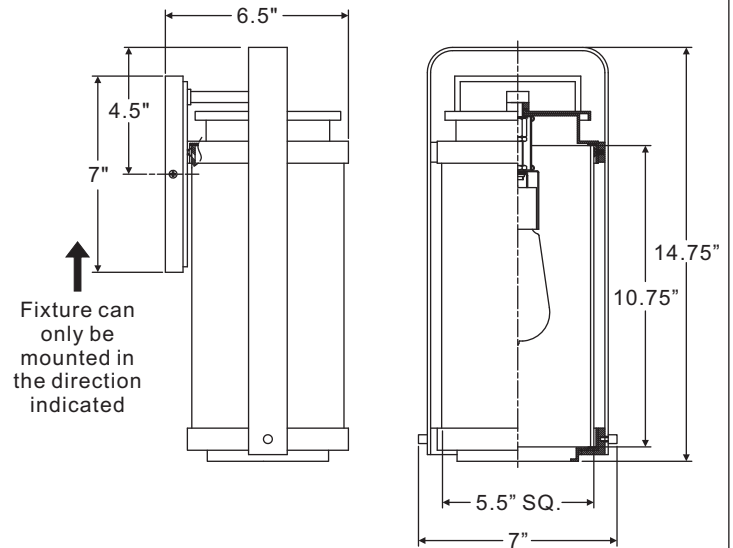


Figure 5



NOTE: ALL DIMENSIONS ARE ROUNDED UP TO THE NEAREST 1/4"