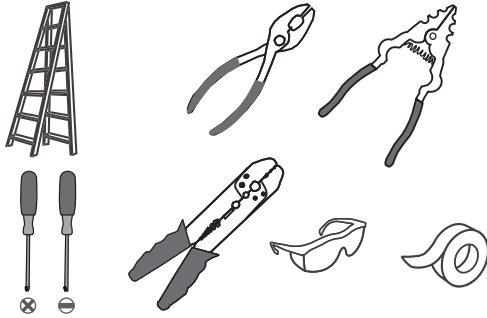
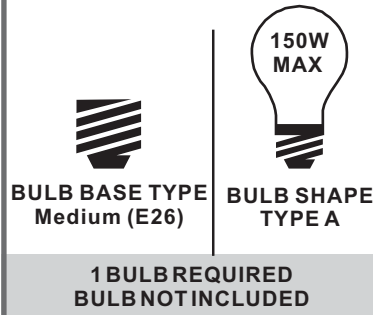


**Tools Required**



**Light Source**



**Fixture Height Adjustable  
24.5" to 120.5"**

**⚠ Warnings and Cautions**

Turn off the electricity at the circuit breaker before installation. Consult a licensed electrician if in doubt about installation.

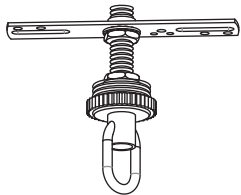
Turn off power to the fixture and allow the bulbs to cool before replacing.

**Package Contents**

**Preparation:** Identify and inspect all parts before beginning the installation.

Missing or damaged parts? Contact your original place of purchase.

**PARTS BAG**



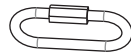
**A** Crossbar Assembly x 1



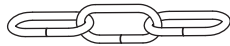
**B** Outlet Box Screw x 2



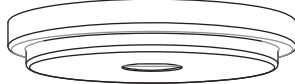
**C** Wire Connector x 3



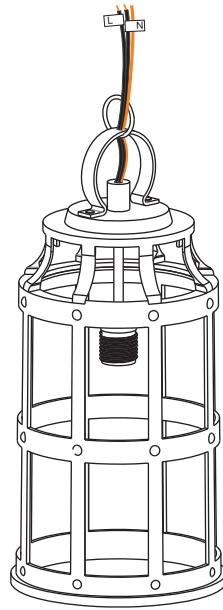
**D** Quick Link x 2



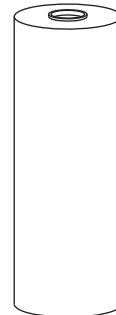
**E** Fixture Chain x 1



**F** Ceiling Canopy x 1



**G** Fixture Body x 1



**H** Shade x 1

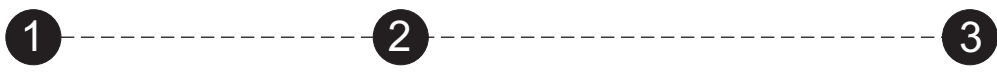


**I** Socket Collar x 1

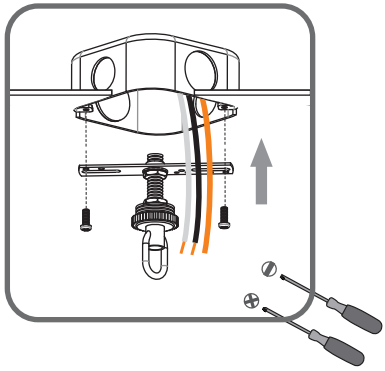
**Table of Contents**

Crossbar Assembly	Fixture Chain	Wiring	Ceiling Canopy	Shade & Bulb
<b>STEP 1</b>	<b>STEP 2</b>	<b>STEP 3</b>	<b>STEP 4</b>	<b>STEP 5</b>

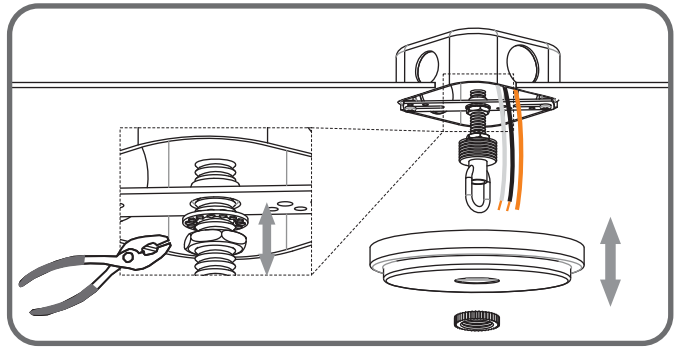
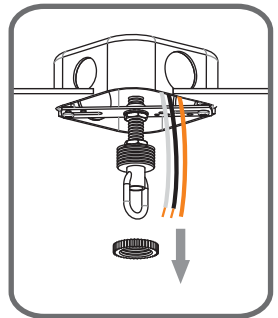
**STEP 1**



**Step 1**  
Install crossbar assembly



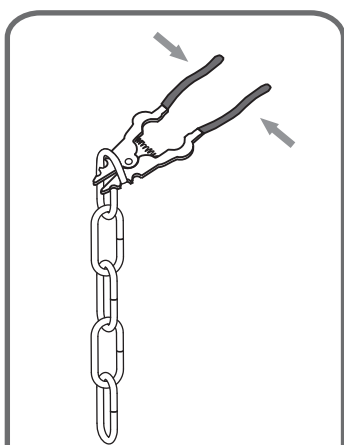
**Step 2 - 3**  
Test fitting ceiling canopy to nipple



**STEP 2**



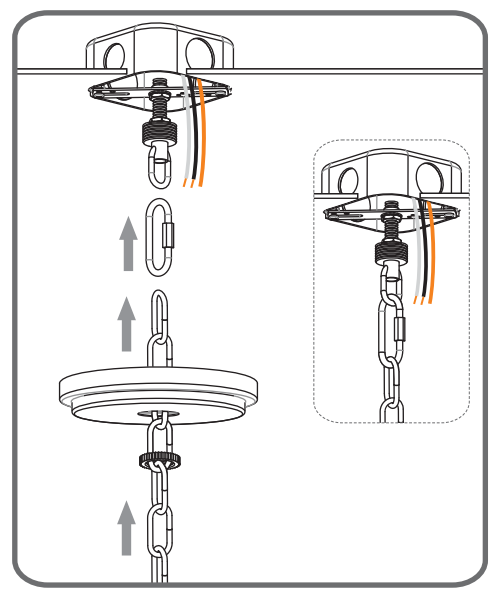
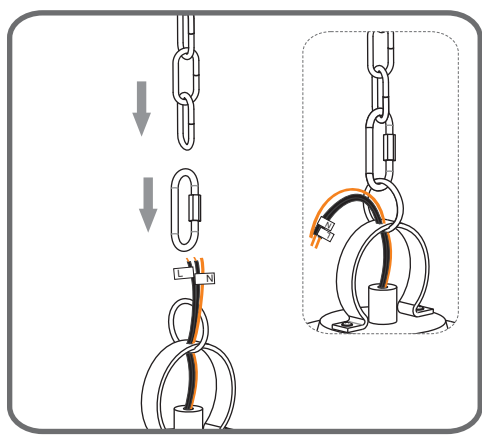
**Step 1**  
Adjust fixture chain length



**Suggested Chain Length:**

- 8' ceiling: 10" Chain
- 9' ceiling: 22" Chain
- 10' ceiling: 34" Chain

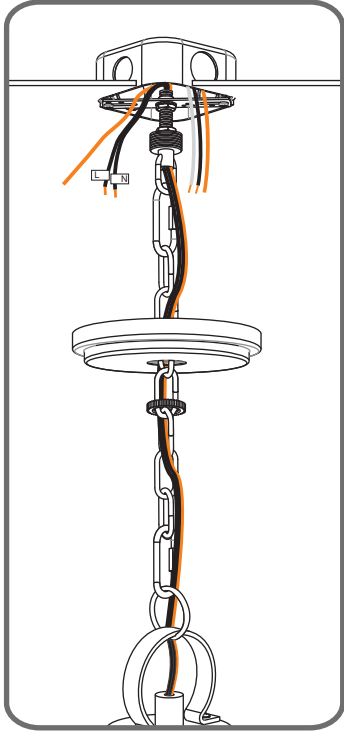
**Step 2 - 3**  
Install Fixture Chain



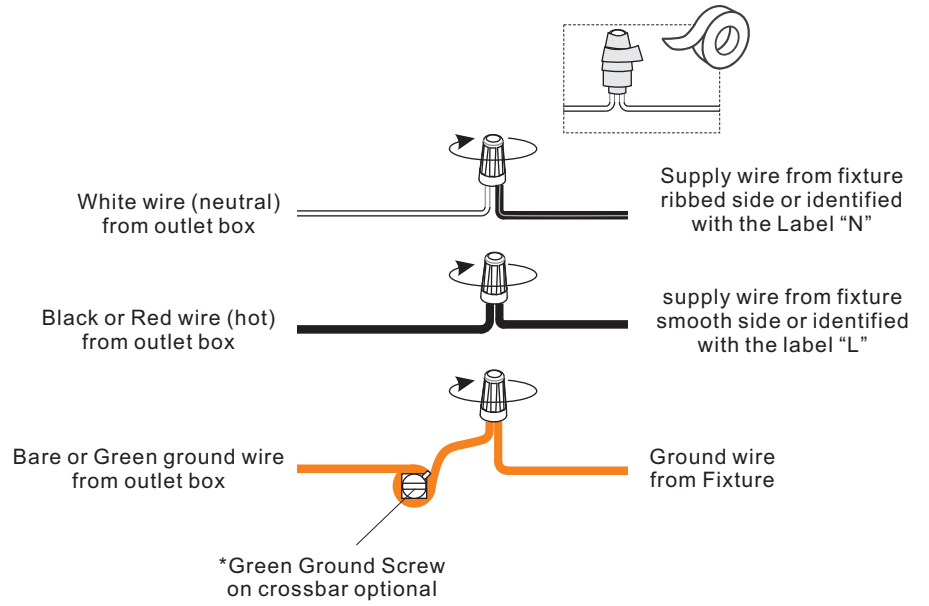
### STEP 3

1

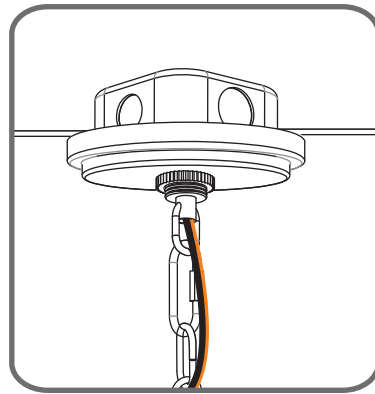
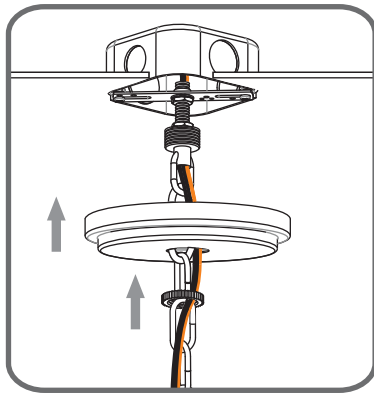
Step 1  
Feed the fixture wires  
through the loop



2



### STEP 4



**STEP 5**

