

Please go to www.quirzel.com for product cleaning tips. Go to the **Care + Maintenance** selection.

Tools Required: None.

Light Source: (3) Medium Base Vintage Bulb 60W (included), Maximum 75W.

Estimated Assembly Time: 15-20 minutes

Preparation: Identify and inspect all parts before beginning installation. Check package content list and diagrams below to be sure all parts are present. If any parts are missing or damaged, do not attempt to assemble, install, or operate the fixture. Contact your original place of purchase.

⚠ Warnings and Cautions

Turn off electricity at circuit breaker or main fuse box before installation. Consult a licensed electrician if in doubt.

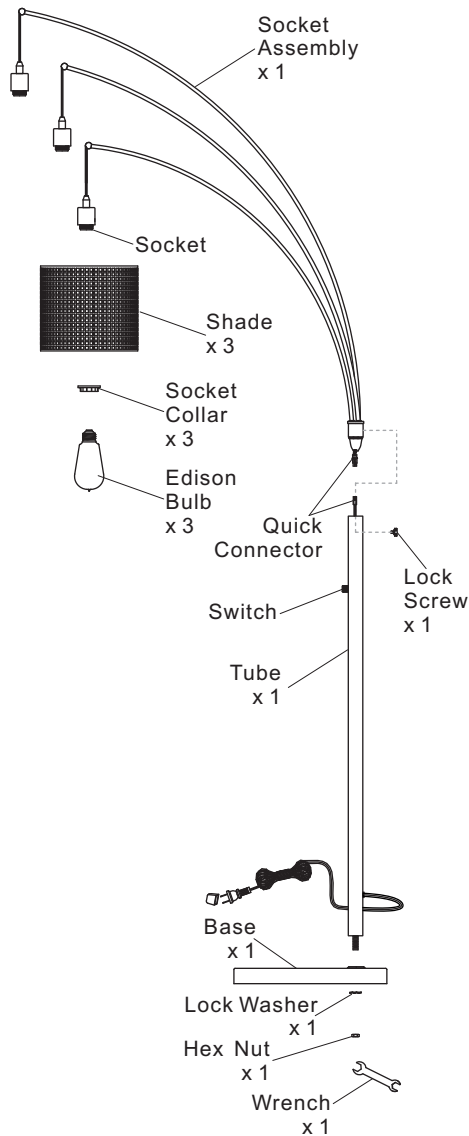
These instructions are provided for your safety. It is very important you read them completely before installing the fixture. We strongly recommend that a licensed, professional electrician perform the installation.

Disconnect fixture from power source before replacing bulbs. Make sure bulbs are given sufficient time to cool before removal.

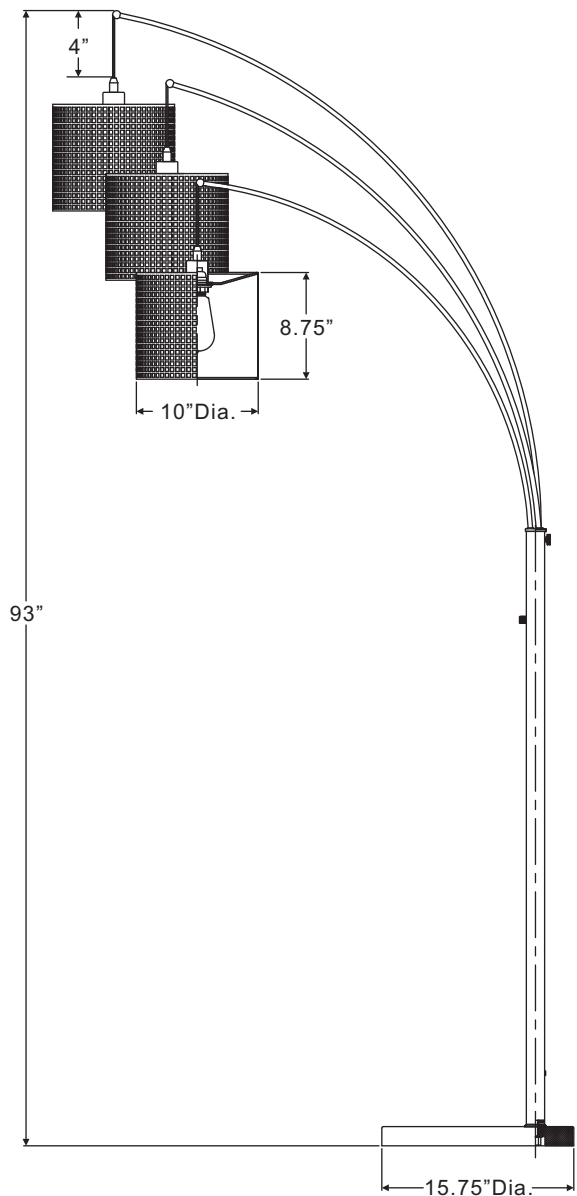
- A. Insert the nipple on the Tube into the Base. Place Lock Washer over the nipple, secure by using Wrench thread the Hex Nut onto the nipple, hand tighten until snug.
- B. Connect the Quick Connectors.
- C. Insert Socket Assembly into the Tube. Line up the hole on the Tube and the mounting hole on the Socket Assembly, secure by threading Lock Screw into the mounting hole. Hand tighten until snug.

- D. Insert bulbs onto sockets and screw snugly into place.

Your fixture is now assembled and ready to use. Enjoy!



Q2606F



NOTE: ALL DIMENSIONS ARE ROUNDED UP TO THE NEAREST 1/4"