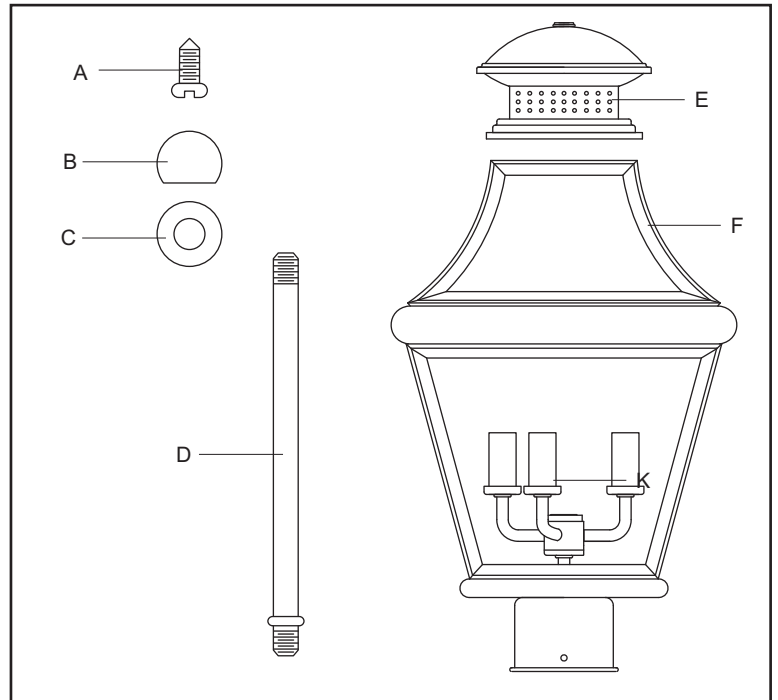


**PACKAGE CONTENTS**

ISSUED 09-2009

Part	Description	Quantity
A	Mounting Screw	3pcs
B	Lock Ball	1pc
C	Waterproof Washer	1pc
D	Center Stem	1pc
E	Fixture Cover Assembly	1pc
F	Cage with Sockets	1pc



**! WARNINGS AND CAUTIONS**

**WARNING:**

- Before beginning the installation, turn off electricity at the circuit breaker box or the main fuse box by switching off the circuit breaker or removing the fuse.

**CAUTIONS:**

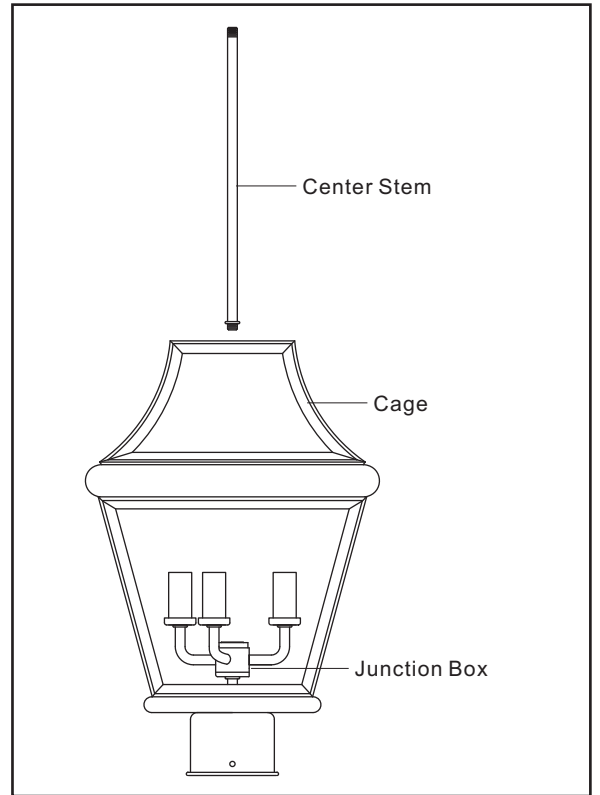
- These instructions are provided for your safety. It is very important that they are read completely before the installation of your fixture. We strongly recommend that a professional electrician install the fixture.
- Disconnect fixture from the power source before replacing the bulb(s), making sure the bulb(s) had sufficient time to cool down. **DO NOT** subject the lamp to any shock while lit as shattering of lamp may result.

**PREPARATION**

- Before beginning installation of product, make sure all parts are present. Compare parts with package contents list and diagram above. If any part is missing or damaged, do not attempt to assemble, install or operate the product. Contact customer service for replacement part.
- Estimated Assembly Time: 15 - 30 minutes
- Tools Required for Assembly (not included): Flathead screwdriver, Phillips screwdriver, pliers, electrical tape, wire cutters, safety glasses & 3, 60 Watt, Cand Base Bulbs.
- Helpful Tools (not included): Wire Strippers.

**STEP 1:**

- a. Screw the beaded end of the Center Stem into the mounting hole on the top center of the Junction Box. Hand tighten until snug.

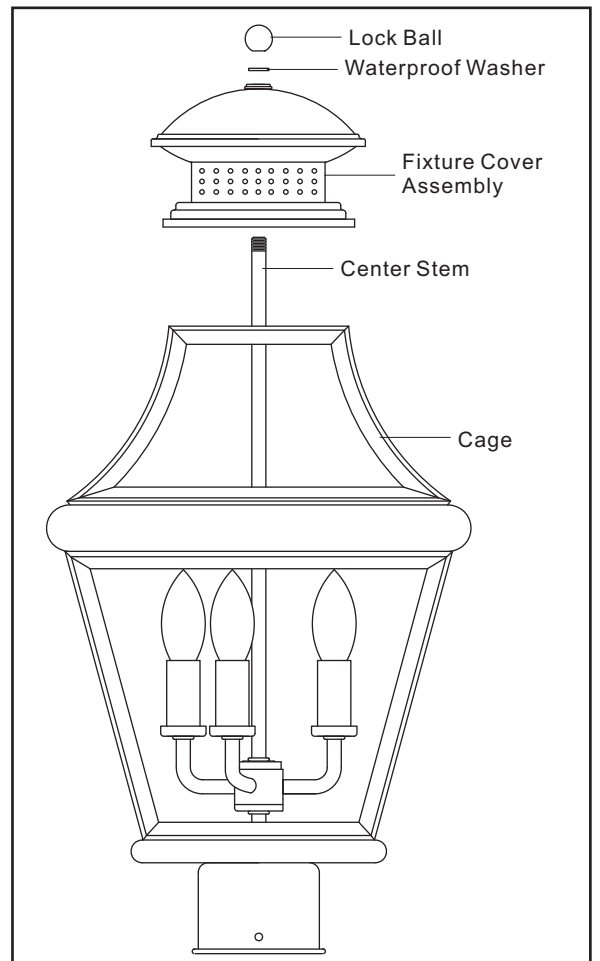


**STEP 2:**

- a. Install correct bulbs referring to fixture markings and/or labels for maximum wattage.

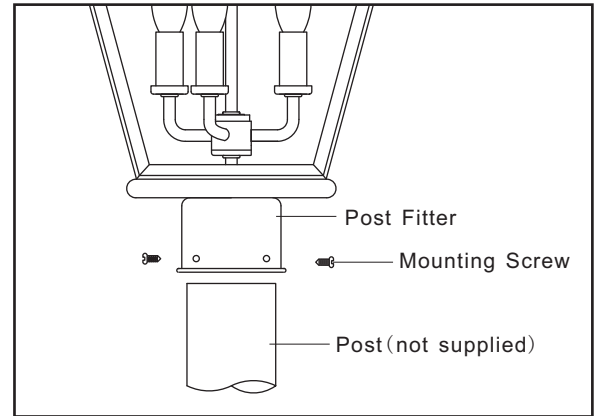
**STEP 3:**

- a. Place the Fixture Cover Assembly over the top end of the Center Stem, attach onto the top edge of the Cage. Pass the Waterproof Washer over the Stem and secure with the Lock Ball. Hand tighten until snug.



## STEP 4:

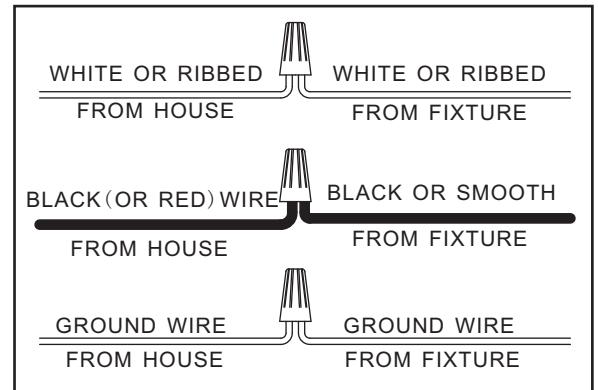
- a. Carefully fit the Post Fitter over the end of the Post (not supplied), making sure the Post Fitter is fully seated.
- b. Mark the drill point for the (3) Mounting Screws, using (3) Mounting Holes as reference. After marking hole locations, remove Fixture from Post and drill 1/16" pilot holes for screws.
- c. Refer to Step 5 for wire connections.
- d. Coat the top 1" of the Post with Clear Silicone Caulk (not supplied) and position the Post Fitter onto the Post. Be sure to seat it completely, aligning the holes in the Fitter with the 1/16" Pilot Holes drilled into the Post.
- e. Secure the Fixture to Post with (3) Mounting Screws.



## STEP 5:

\*Use Wire Connectors (not supplied) to connect the wires.

- a. Connect the House Ground Wire to the Fixture Ground Wire.
- b. Connect the House White (or Ribbed) Wire to the Fixture Supply Wire (White or Ribbed Side).
- c. Connect the House Black (or Red) Wire to the Fixture Supply Wire (Black or Smooth Side).
- d. Wrap each connection with approved electrical tape and carefully stuff all of the connected wires into the Outlet Box.



Your installation is completed now. Restore electricity. Retain this sheet for future reference.